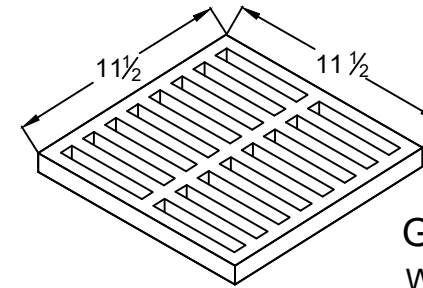
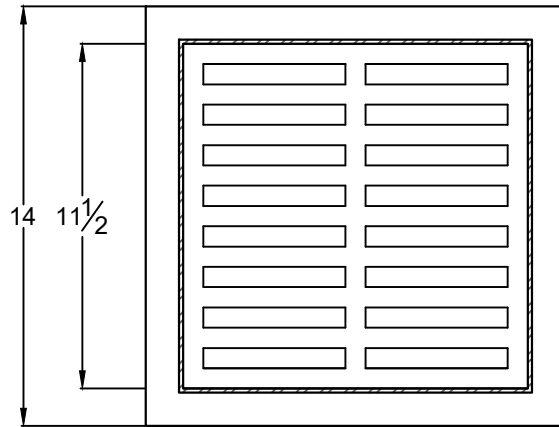


ConcreteCatchBasins.com

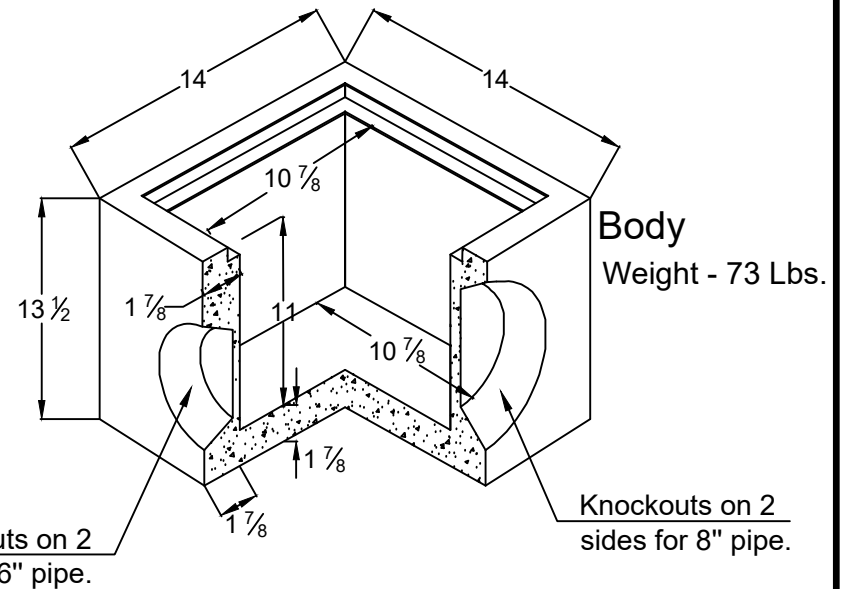
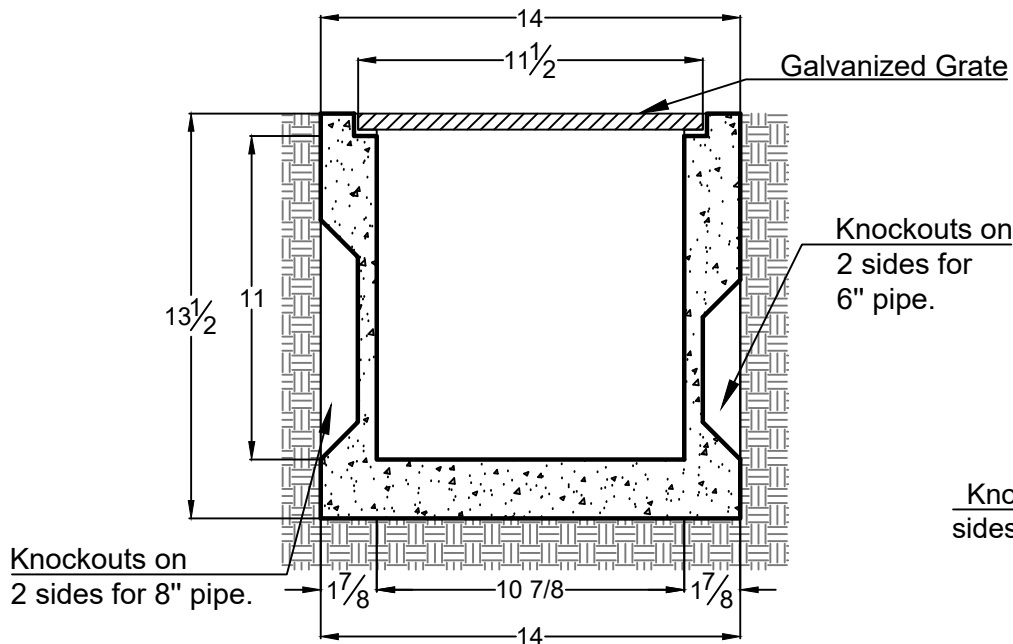
866-460-0454

Model: CCBG68

12" x 12" Concrete Catch Basin with galvanized grate



Galvanized Grate  
Weight - 7 Lbs.



Knockouts on 2 sides for 6" pipe.

Knockouts on 2 sides for 8" pipe.

Body  
Weight - 73 Lbs.

**SPECIFICATIONS:**

1.- Concrete has a design strength of 3000 PSI at 28 days.