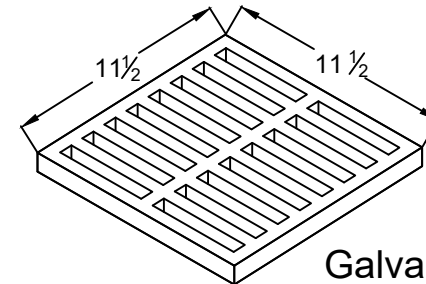
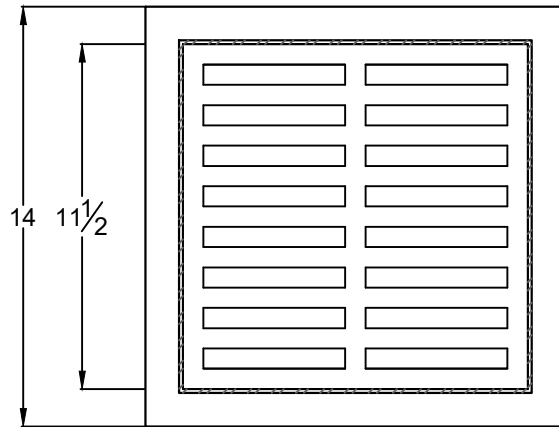


ConcreteCatchBasins.com

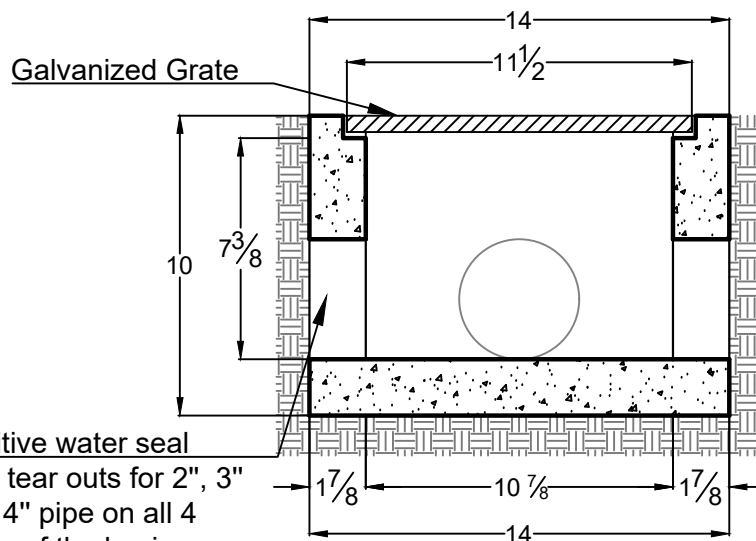
866-460-0454

Model: CCBG12

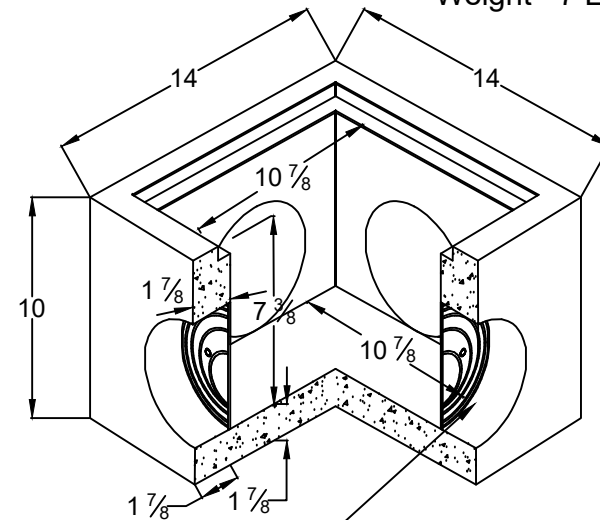
12" x 12" Concrete Catch Basin with galvanized grate



Galvanized Grate
Weight - 7 Lbs.



Positive water seal
with tear outs for 2", 3"
and 4" pipe on all 4
sides of the basin.



Positive water seal with
tear outs for 2", 3"
and 4" pipe on all 4 sides
of the basin.

Body
Weight - 55 Lbs.

SPECIFICATIONS:

- 1.- Concrete has a design strength of 3000 PSI at 28 days.